

The AlamosaTM

FP3820RP

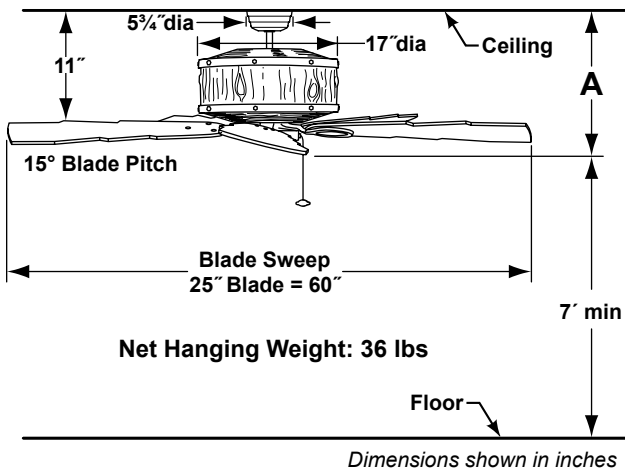


SPECIFICATION SHEET



Product Specifications subject to change

The Alamosa™ Fan Assembly – FP3820RP



Available Finish	
RP	Rustic Pine

Fan Assembly	A
Fan w/6" downrod	15"
Fan w/12" downrod	21"
Fan w/18" downrod	27"
Fan w/24" downrod	33"
Fan w/36" downrod	45"
Fan w/48" downrod	57"
Fan w/60" downrod	69"
Fan w/72" downrod	81"

INSTALLATION REQUIREMENTS:

Ceiling fan attaches to electrical junction box securely anchored and capable of withstanding a load of at least 50 lbs.

ELECTRICAL REQUIREMENTS:

Ceiling fan requires a grounded electrical supply line of 120 volts AC, 60 Hz, 15 amp circuit. 3 fan speeds with reversing switch (on the switch housing).

Fan Speeds: Low – 30 rpm; Med – 80 rpm; High – 140 rpm

CONTROL OPTIONS:

Optional remote and wall controls are available. See Catalog or visit our website, www.fanimation.com for more control options. Installation instructions provided with each control.

LIGHTING OPTIONS:

Optional lighting fitters and light kits are available. See Catalog or visit our website, www.fanimation.com for more lighting options.

DOWN ROD OPTIONS:

The Alamosa™ fan comes with a standard 6" down rod. Optional down rods are available in 12", 18", 24", 36", 48", 60", and 72". For installations requiring a longer down rod, a down rod coupler is available. The Alamosa™ fan can be mounted on a sloped ceiling up to 30°. Most sloped ceiling installations require a down rod longer than the standard 6" down rod. Optional sloped ceiling kits are available for up to 52°. Call tech support for more information.

BLADE SETS:

A set of 5 hand-carved wood blades are included. Not recommended for Damp Location.

DAMP LOCATION:

Fan not rated for Damp Location usage.



10983 Bennett Parkway
Zionsville, IN 46077
(888) 567-2055
FAX (866) 482-5215

Outside U.S. call (317) 733-4113

Visit Our Website www.fanimation.com

